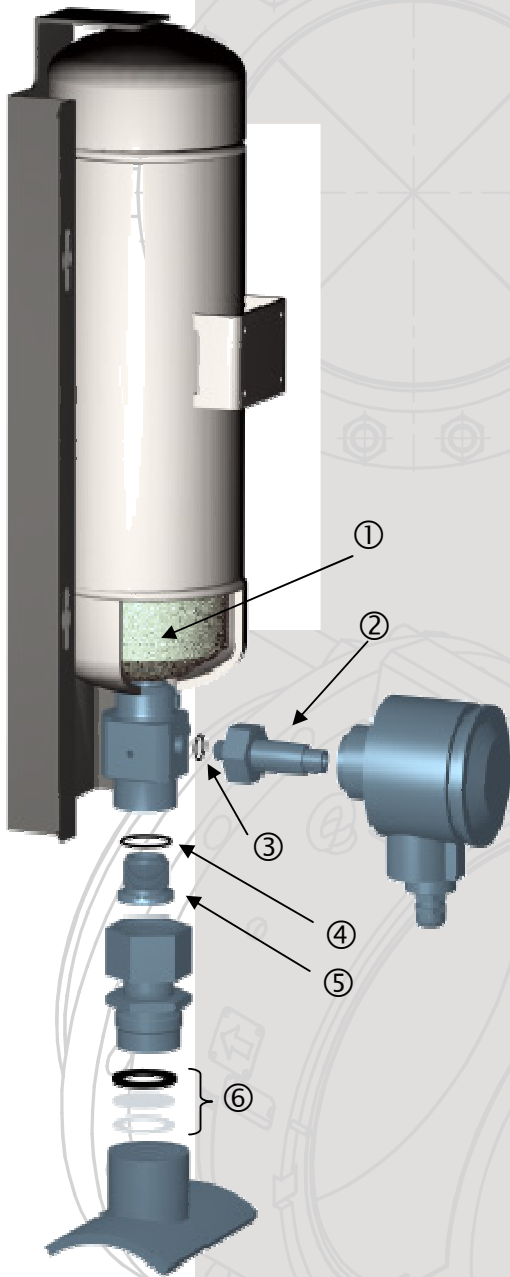


## SRD RELOAD KIT



After activation the Fike Slow Rate Discharge (SRD) container can be refurbished using the Fike reload parts as detailed below.

**Refurbishing the container must only be performed by a Fike service technician or trained site personnel, using original Fike parts only!**

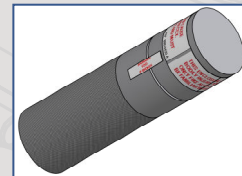
The Reload Kit SRD

Consists of following parts (refer to sketch):

- ① suppressant powder → shipped in a white plastic bucket
  - ② Initiator boss
  - ③ O-ring initiator boss
  - ④ O-ring + bursting disc
  - ⑤ Bursting disc assembly
  - ⑥ Nozzle plug assembly
- } shipped in a card board box

### The initiator in safety enclosure

The GCA will be shipped in a separate wooden box according to ADR and IATA regulations for 1.4S products (unless not required by local, national authorities)



GCA in safety enclosure

### Notes

Two O-rings will be supplied for item ④. Only one of them will be used depending on the O-ring groove on your SRD container.