

HRD Mechanical Lockout

Description

The Mechanical Lockout provides a means for the user to mechanically prevent the discharge of the HRD suppression container into the process vessel and to electrically prevent the unintentional arming of the suppression system by the Fike Explosion Protection Controller (EPC).

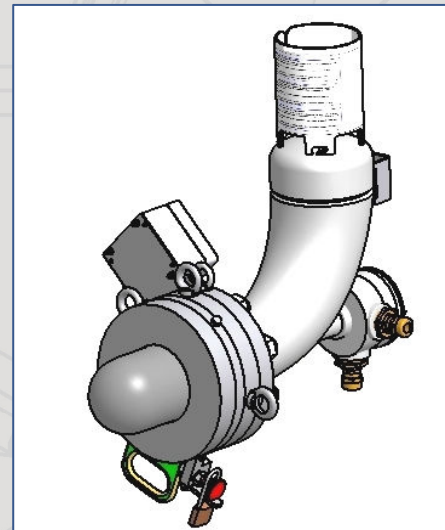
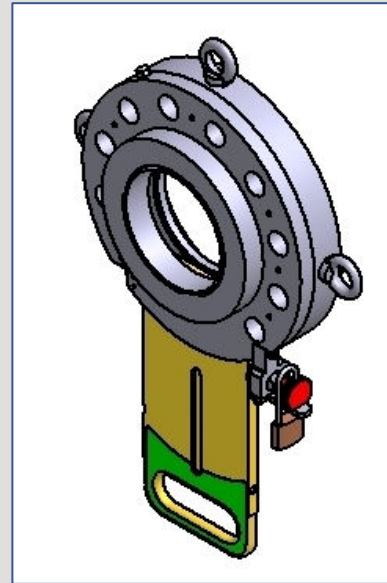
Fike's HRD Mechanical Lockout consists of a 2 position slide assembled between 2 flanges. The assembly is equipped with a mechanical locking pin and proximity switches to sense the slide position.

The lockout device also provides a signal indicating following conditions:

- Lockout slide open to allow discharge
- Lockout slide partially closed (Suppressant discharge partially blocked, process vessel not protected)
- Lockout slide closed to block discharge (Suppressant discharge blocked, process vessel not protected) (*)

(*) Not available when a mechanical position switch is used

A spring operated locking pin secures the slide plate in every discrete position (open/closed). The locking pin can be secured with a pad lock (pad lock optional).



Features and Benefits

- Increased safety for personnel in compliance with
 - OSHA requirement 29 CFR 1910.147, The control of Hazardous Energy (Lockout/Tagout)
 - NFPA 69-2007, 10.3 Personnel Safety
 - EN 14373, 8 Instructions for installation, commissioning and maintenance
- Compatible with existing installations
- Easy installation and maintenance
- No impact on suppression efficiency
- Fail safe interlocking with controller and process
- Manually operated

Specifications

Type	HRD Mechanical Lockout	
Available sizes	DN 100 (4")	DN 150 (6")
Part number detection option 1: Inductive proximity switches	P/N 45065010-S	P/N 45060010-S
Part number detection option 2: Mechanical position switch	P/N 45062310-S	P/N 45062010-S
Dimensions (l x w)	478 x 265 mm	626 x 355 mm
Weight	+20 kg	+40 kg
Material specification	Carbon steel nickel plated	
Monitoring	Electrical contacts to indicate open, closed or intermediate position.	
Accessories	Pad lock. Fike intrinsic position indicator module (P/N 90700122) (*). Stud bolts.	

(*) Required for detection option 1.

Hazardous area approvals

Detection option 1: Inductive Proximity switches	
Fike intrinsic position indicator module (P/N: 90700122)	Ex II (1) G D [Ex ia] IIC or [Ex iaD]
Inductive Proximity switches (P/N: 29944446)	Ex II 2G EEx ia IIC T6 Ta: -20...70°C
	Ex II 1D Ex iaD 20 T 90°C Ta: -20...70°C
Detection option 2: Mechanical position switch	
Mechanical position switch (P/N: 29944800)	Ex II 3D Ex tD A22 IP65 T80°C

8.6511.00.2

All above data are subject to change without notice. They must not be used unless confirmed in writing.

Fike Europe B.v.b.a • Toekomstlaan 52 • B2200 Herentals • Belgium

Tel. +32 14 210031 • Fax +32 14 210743 • email fike-europe@fike.com • website: <http://www.fike.be>

Fike United Kingdom • Maidstone • England

Tel. (01622)677081 • Fax (01622)685737 • email sales@fike.co.uk • website: <http://www.fike.co.uk>